

无波纹箱体的 伸缩钢板

Telescopic sheets without bellow

STRAPANO®

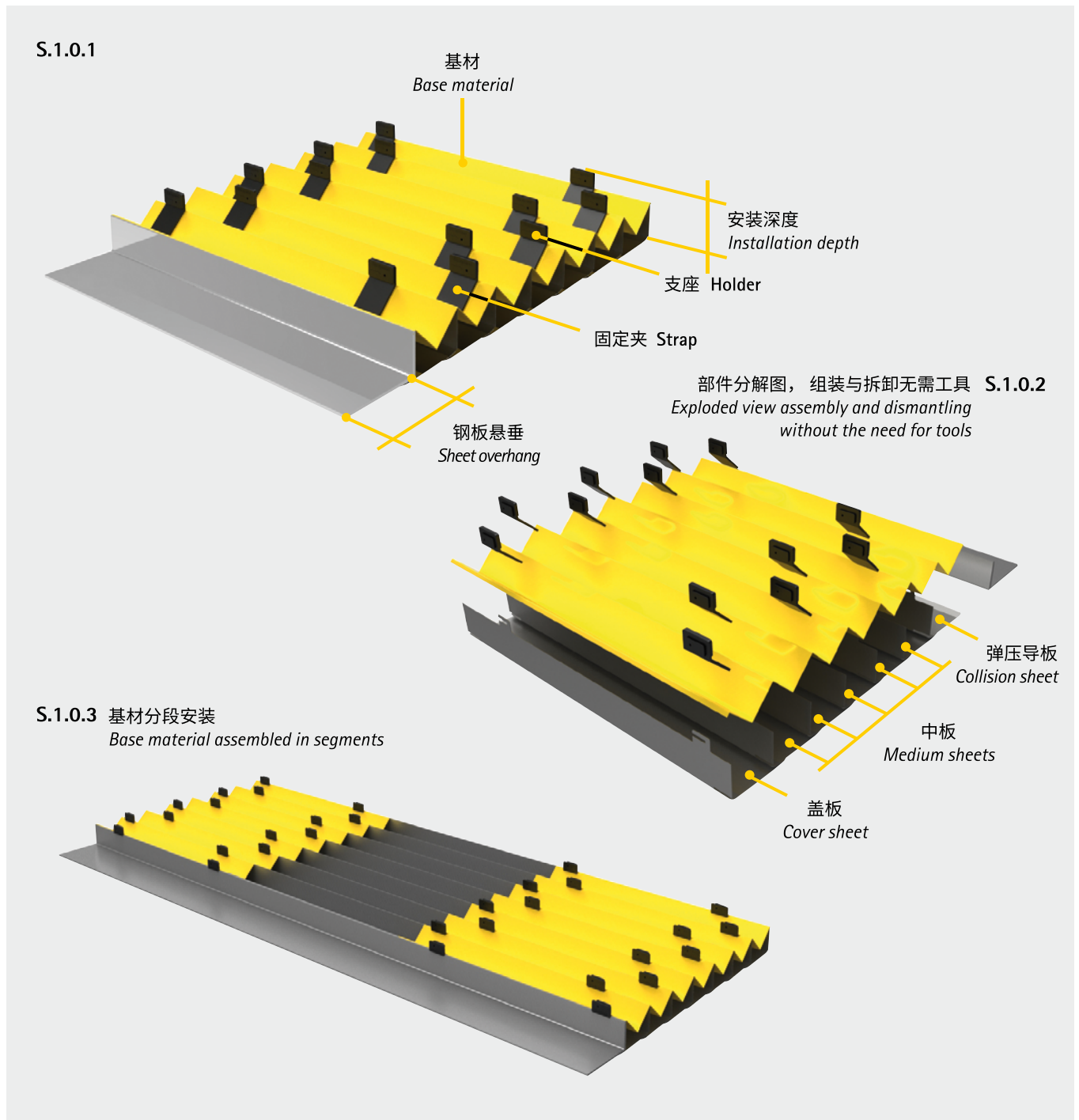
Strapano因其对多种切屑的高度耐受性从众多产品中脱颖而出，这种产品对高温锋利切屑的耐受性尤为突出。压缩后的防护罩可以达到最小长度，由此显示出巨大的优势。这一特点不仅能增加行程，也能进一步节省安装空间。与市场标准产品相比，空间节省比例可达30%。防护罩大幅减重，这是产品的另一大优势所在，可确保加工过程更为出色的动态性与准确性。基材的弹性在很大程度上抑制了减幅振荡。无需工具即可替换单个部件。Strapano的售价低且免费维护。

Strapano stands out for its high resistance to many types of swarf and particularly to hot and sharp-edged swarf. The minimal length of the cover when pushed together is particularly advantageous. This makes it possible to realise either larger lifts or a smaller construction space. Up to 30 % savings are possible compared with standard market variants.

One further advantage is the significantly lower weight of the cover. This results in higher dynamics and accuracy in the handling process. Due to the spring properties of the base material, reverberation is largely damped. Individual parts can be replaced without the need for tools. Strapano is cheap to purchase and maintenance free.

命名法

Nomenclature



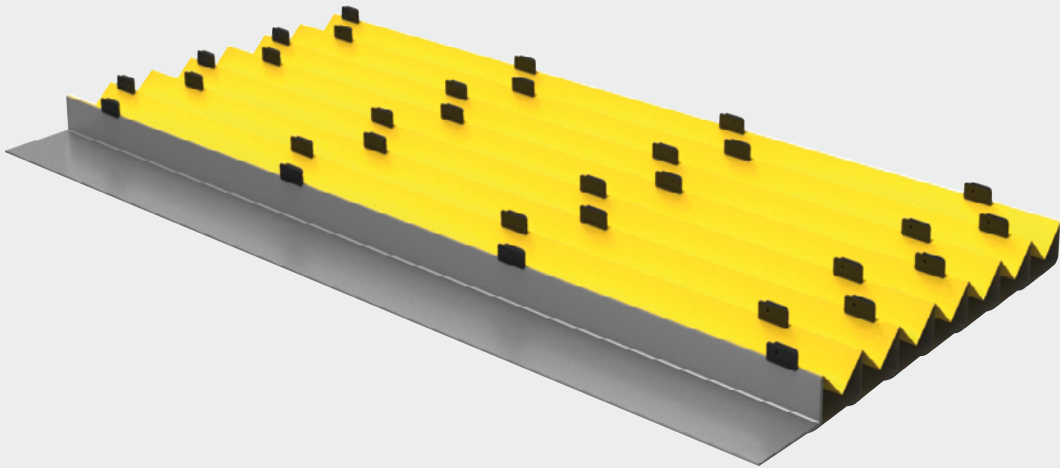
缩写解释见第10页 / Explanation of the abbreviations can be found on page 10

Lmax = 最大拉伸长度 / maximum length

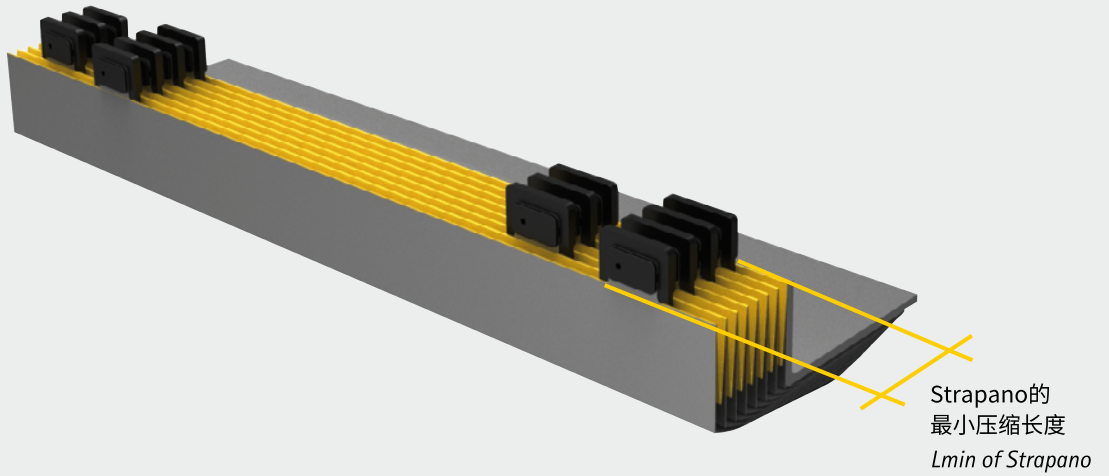
Lmin = 最小压缩长度 / minimum length

Hub = 最大拉伸-最小压缩 / stroke = Lmax-Lmin

S.1.0.4 连续基材
Continuous base material



S.1.0.5 Strapano的最小压缩长度比常规产品的最小压缩长度少30%。
Lmin of Strapano up to 30% lower than conventional minimum length



S.1.0.6



参数

Parameters

您可以使用所示流程图来确定所需的安装空间大小。快速一览中介绍了最大拉伸长度 (Lmax)、折页宽度 (Fb) 和最小压缩长度 (Lmin) 的组合。

The scale of the required construction space can be determined using the shown flow diagram. In the quick summary, a rough overview of the combination of Lmax, Fb and Lmin can be found.

折页宽度 (Fb) Fold width	Strapano的单折最大拉伸长度 Lmaxfold Strapano
20	
25	
30	
35	52
40	62
45	70
50	81
60	88
70	
80	
90	
100	

产品 Product	Strapano的单折最小压缩长度 Lminfold
Strapano	3,5 mm

采用Strapano的最小压缩长度 (不计入钢板悬垂部分)
Lmin with Strapano (without sheet overhang)

Lmax	Fb # Bü	30	35	40	45	50
		65	75	85	95	105
100	15	15	15	15	15	15
200	22	22	18	18	18	18
300	29	25	25	22	22	22
400	36	32	29	25	25	25
500	43	39	36	32	29	29
600	50	43	39	36	32	32
700	57	50	43	39	36	36
800	64	53	50	43	43	43
900	71	60	53	50	46	46
1000	78	67	60	53	50	50
1500	109	95	85	74	71	71
2000	144	123	109	95	88	88
2500	179	151	134	116	109	109
3000	211	179	158	141	130	130
3500	246	207	183	162	148	148
4000	277	235	211	183	169	169
4500	312	263	235	204	190	190
5000	347	291	260	225	207	207

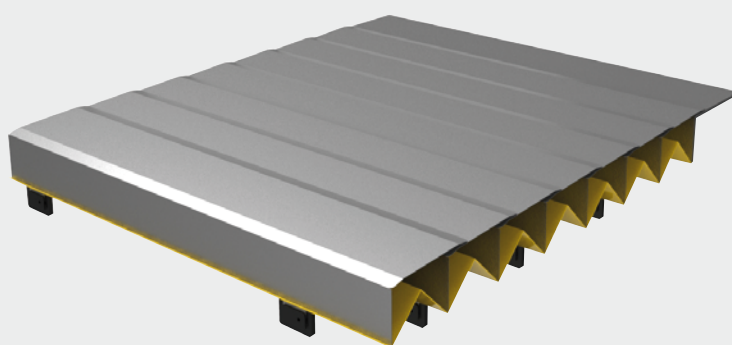
Bü= 钢板悬垂 / Sheet overhang



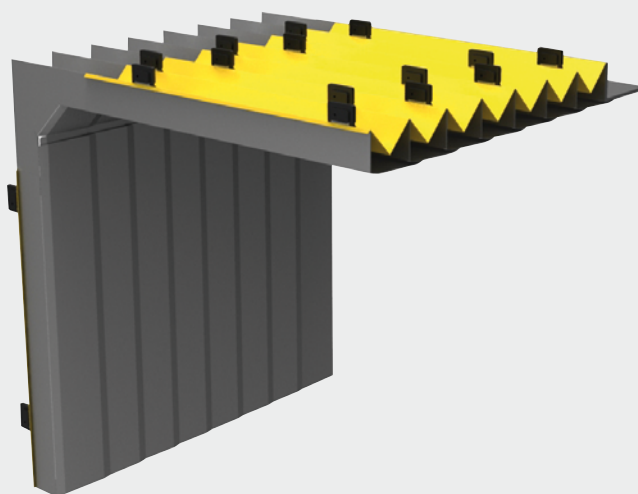
这里列举了Strapano防护罩最常见的的基本形状。同经典款波纹防护罩，客户可订购其他形状的防护罩产品，详情见第14页。此外，我们还可以提供多种异形防护罩。客户也可以定制特定的几何形状。

The most popular basic shapes for Strapano protective covers can be seen here. As with the classic bellows, other shapes are also possible - see p.14. In addition, there are already many special shapes. Customer specific geometries are also possible.

S.1.1.1



S.1.2.1



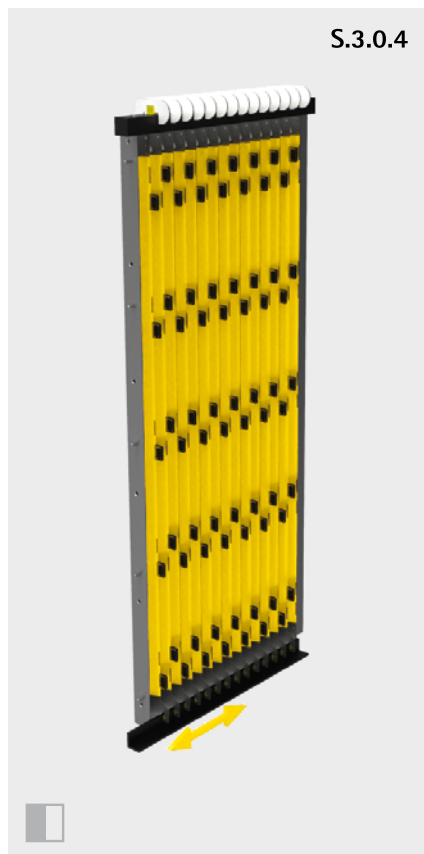
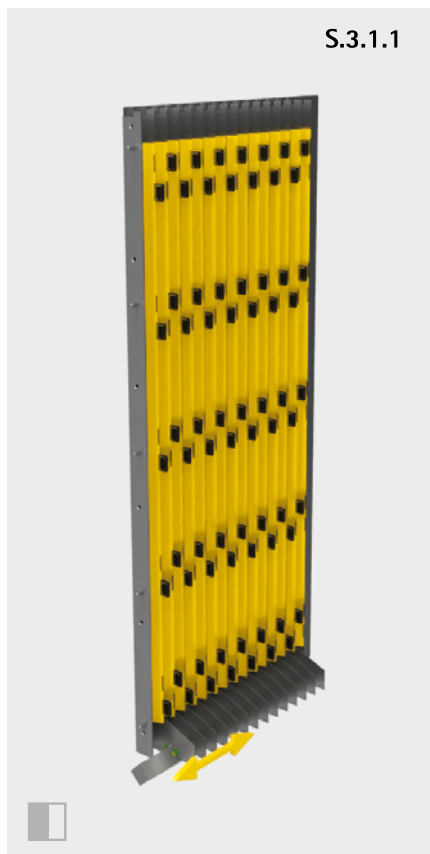
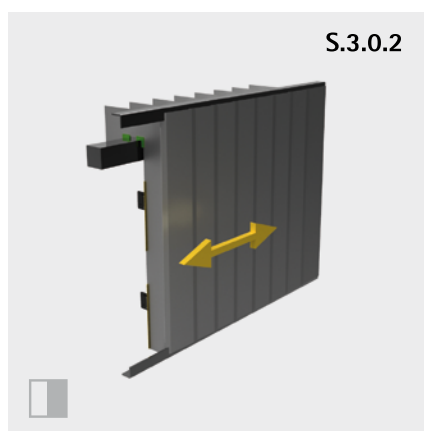
导轨类型

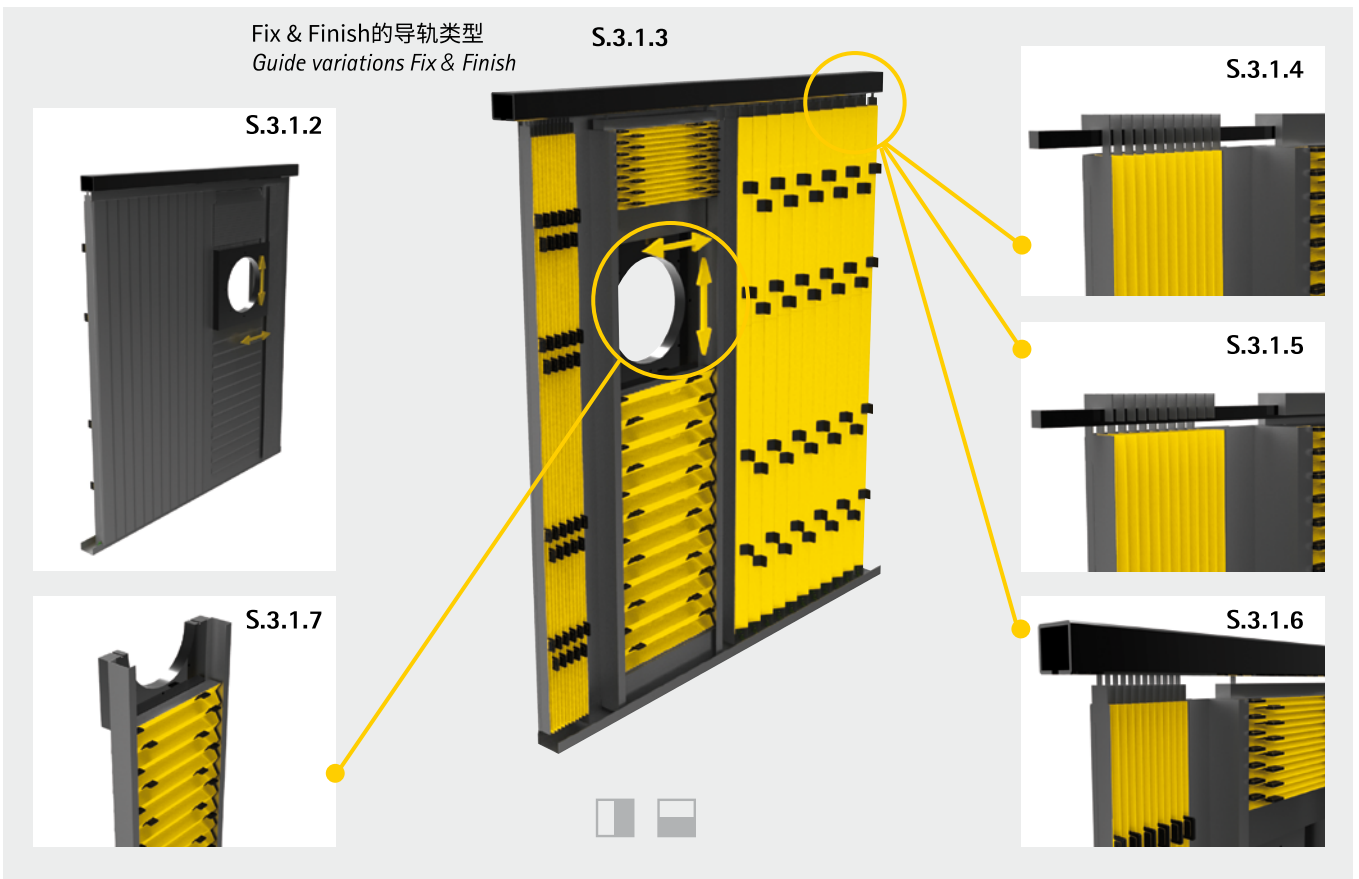
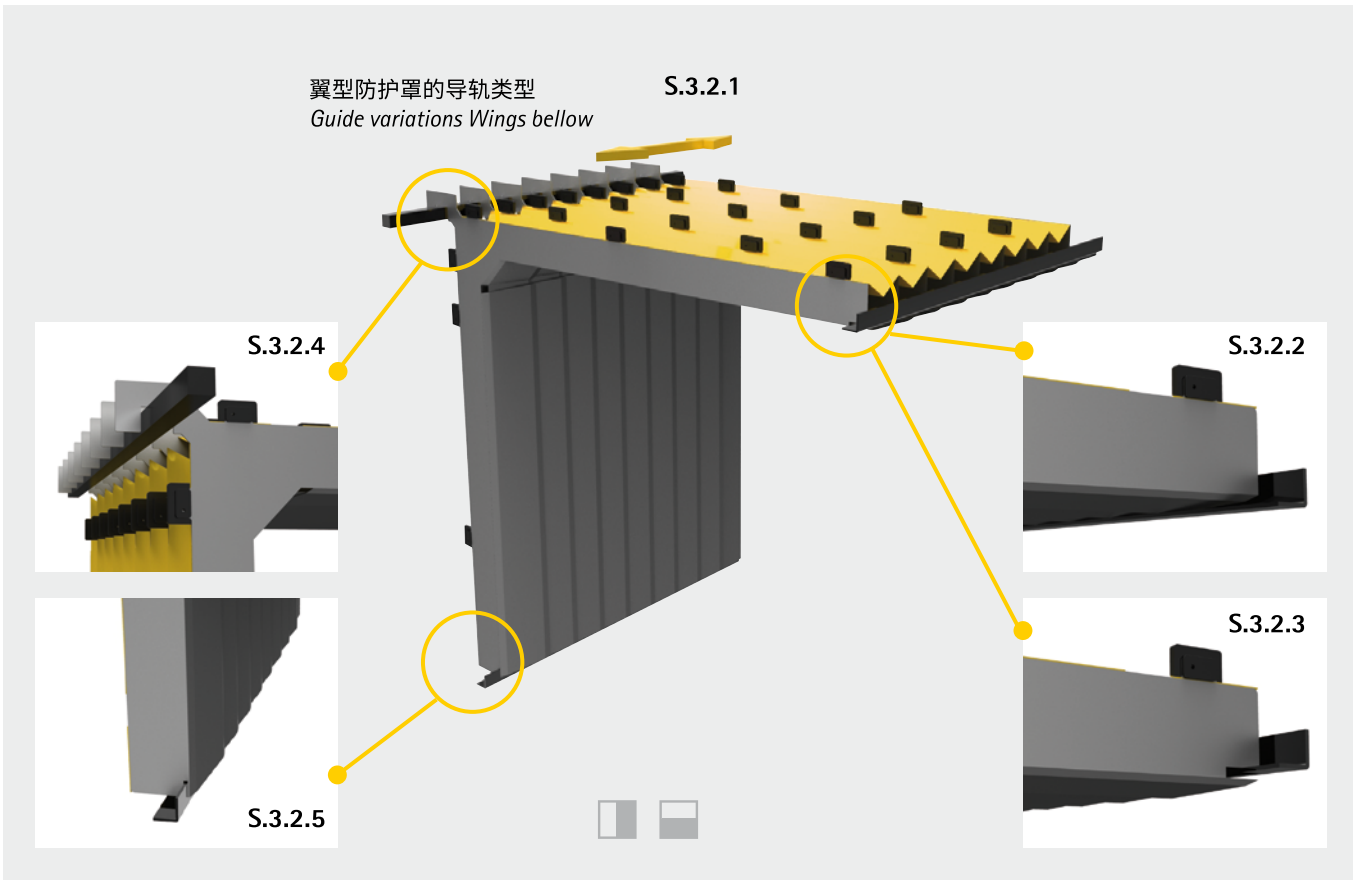
Guide variations

防护罩的工作区位置
Location of the work area for the protective cover

下图显示了各种安装位置的基本形状和相应导向装置的几何形状。黄色箭头表示行进方向。

The following pictures show the basic shapes in various positions of mounting and the associated guide geometries. The process direction is indicated by the yellow arrow.





选项

Options

额外选项为您提供量体裁衣的防护罩产品。您可以选择组合方案或定制特殊的解决方案。我们将竭诚为您提供咨询服务，塑造符合您需求的防护罩产品。

Select additional options to make the protective cover specific to your requirements. Combinations and individual special solutions are possible.

We will be happy to advise you on which options are suitable for the protective cover you desire.



降低电压的解决方案适用于两层或更多层的防护罩，外形设计优雅大气。

Reduced voltage solution for covers on 2 or more levels, elegantly shaped design.



可选联锁附件防护顶盖，无需工具即可组装。

Interlocking attachment of an optional roof cover, can be assembled without the need for tools.



折弯有角的防护罩，可在不同平面上提供防护，适用于所有形状（U型、斜面桌型、屋顶型和箱型）。

Angled cover, protection on different levels, can be used with all shapes (U, desk, roof and box shape).



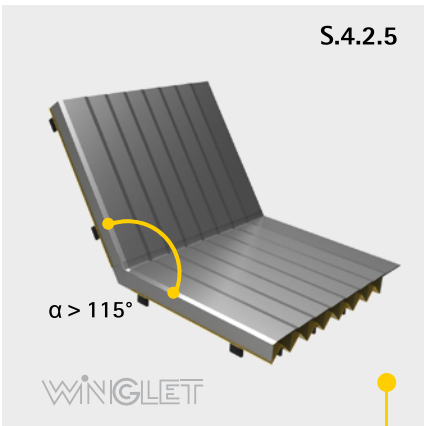
折弯有角的防护罩，可在不同平面上提供防护，适用于所有形状（U型、斜面桌型、屋顶型和箱型）。

Angled cover, protection on different levels, can be used with all shapes (U, desk, roof and box shape).



圆弧形导向装置允许重新配置工作区后方的模块尺寸。

Bowing allows relocation of the block size behind the work area.



折弯有角的防护罩，可在不同平面上提供防护，适用于所有形状（U型、斜面桌型、屋顶型和箱型）。

Angled cover, protection on different levels, can be used with all shapes (U, desk, roof and box shape).



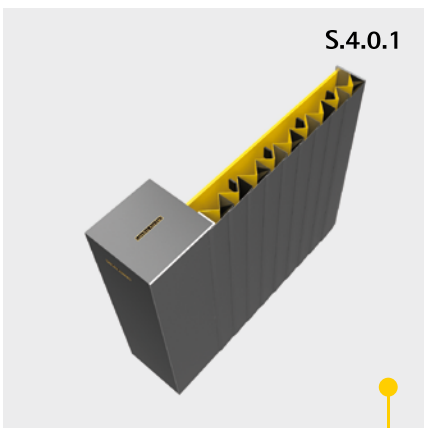
折弯有角的防护罩，可在不同平面上提供防护，适用于所有形状（U型、斜面桌型、屋顶型和箱型）。

Angled cover, protection on different levels, can be used with all shapes (U, desk, roof and box shape).



柔性集成导轨；
在无法使用连续导轨时具有优势。允许自由进入工作区，例如：可用于起重机装载。

Integrated, flexible guide; helpful if continuous guide impossible. Guarantees free access to the work area, e.g. for crane loading.



约束系统：
提高能量吸收。

*Restraint system:
Increases energy absorption.*



滴水檐：
钢板悬垂部分弯折有角度。

*Drip edge:
The sheet overhang of the sheets is angled.*

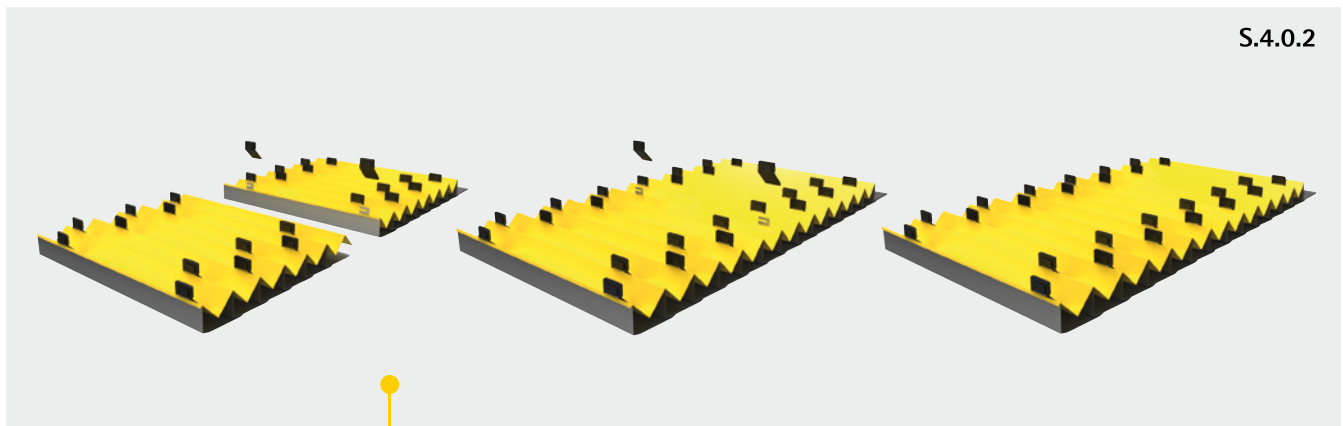


易于维修，
无需工具即可替换单个部件。

*Ease of servicing,
individual parts can be replaced without the need for tools.*

选项

Options



对于横向大行程的情况，以模块形式交付，在生产现场沿行进方向连接模块。

Delivery in modules for large traverse paths, the modules are connected in the process direction on site.

连接件

Connections

根据实际情况决定机器连接方式。各类连接方式见经典款波纹防护罩章节中的图示。第22至24页展示了最常见的固定类型。若客户需求超出此范围，我们很乐意为您开发专门定制的解决方案。

The attachment in the machine is according to the respective conditions. The attachment varianten correspond to the illustrations in the classic bellows chapter. Here, you will find some of the most popular fixing types on pages 22 to 24. For requirements above and beyond this, we are happy to develop special solutions for you.